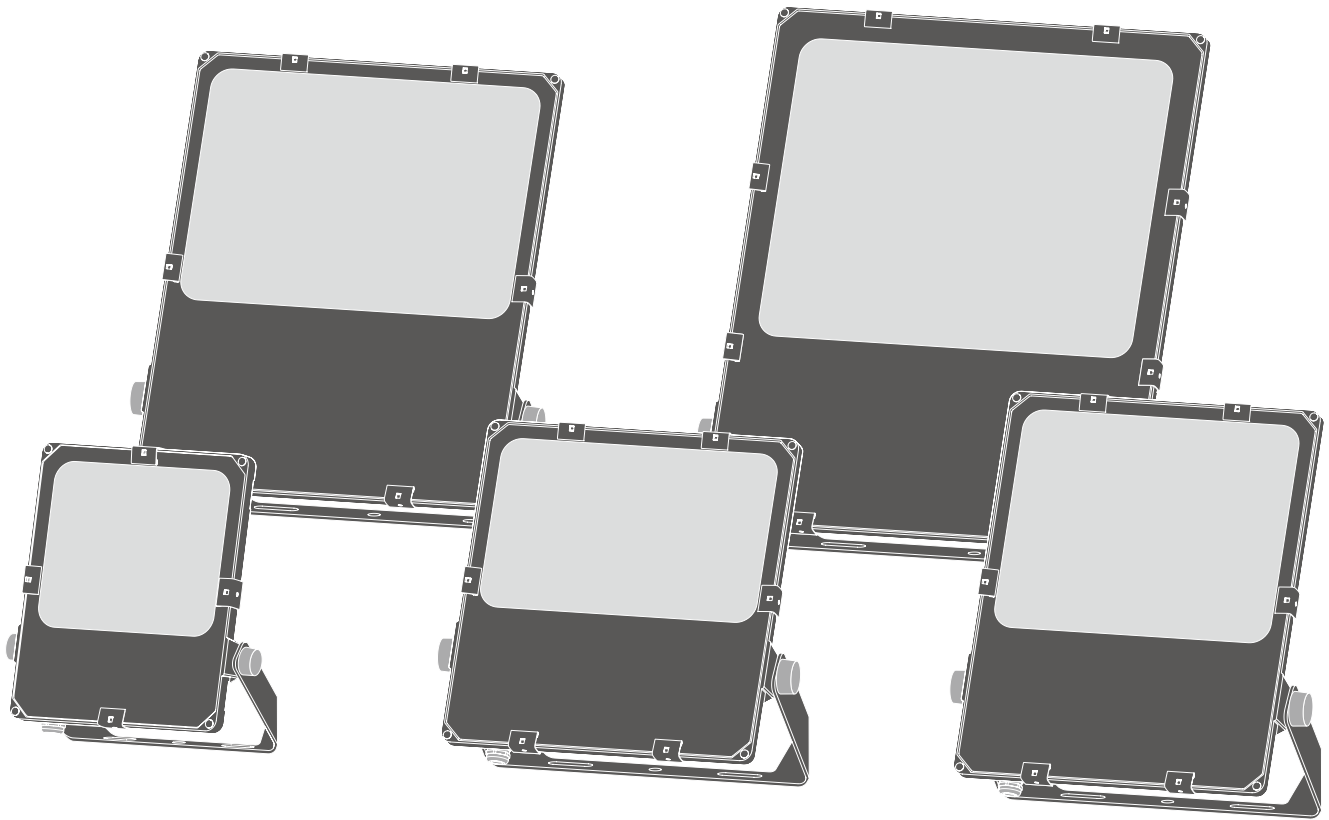
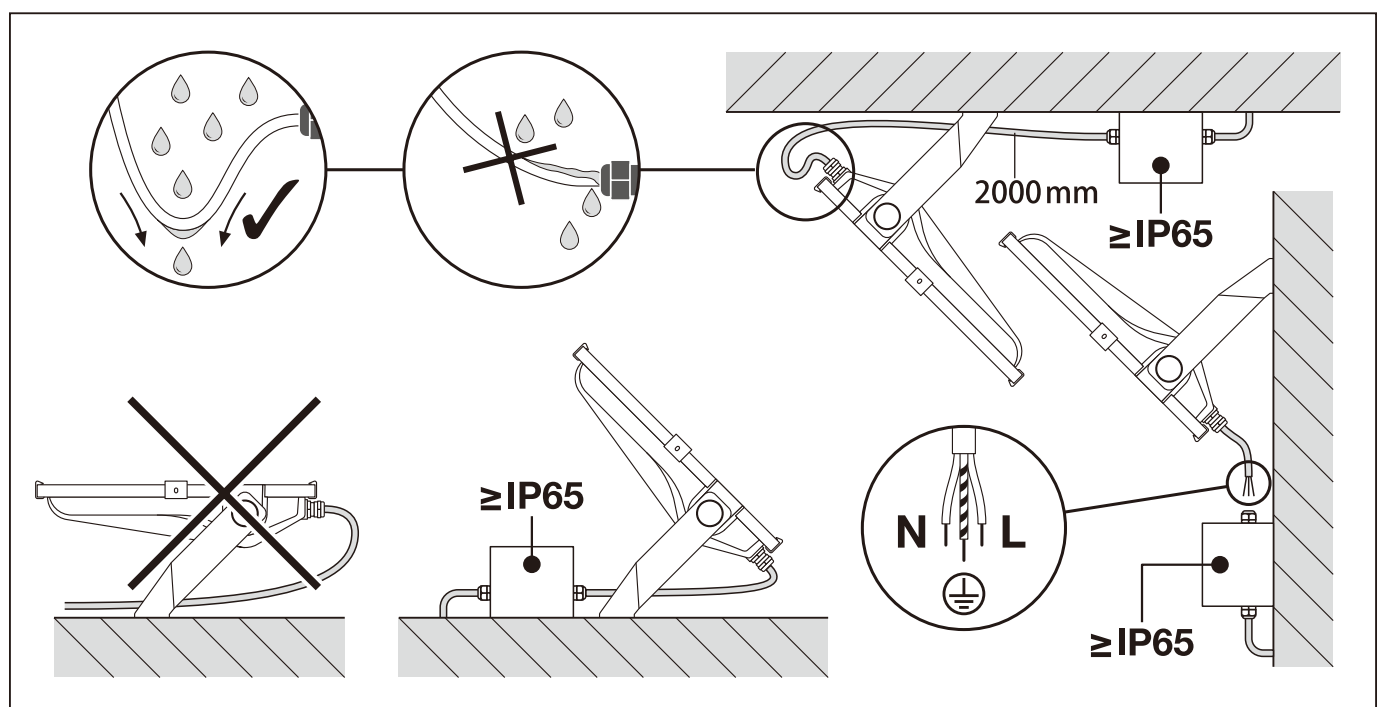


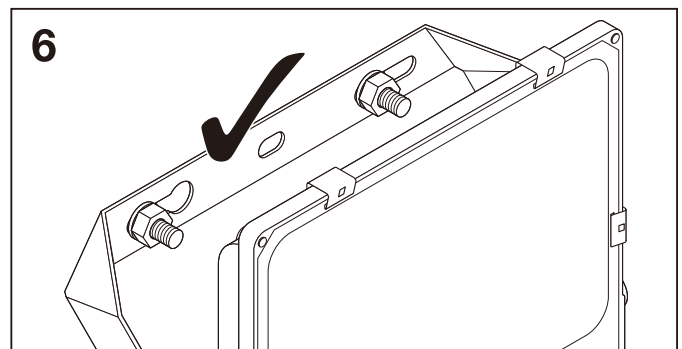
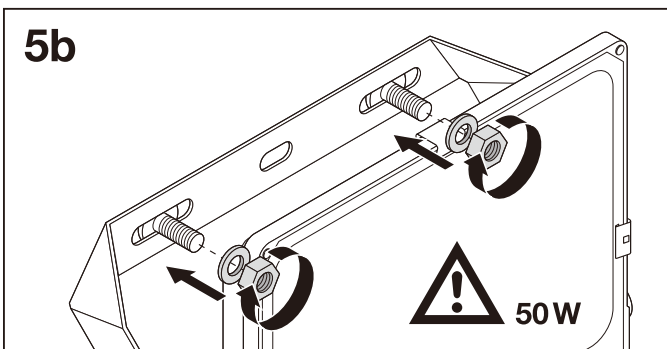
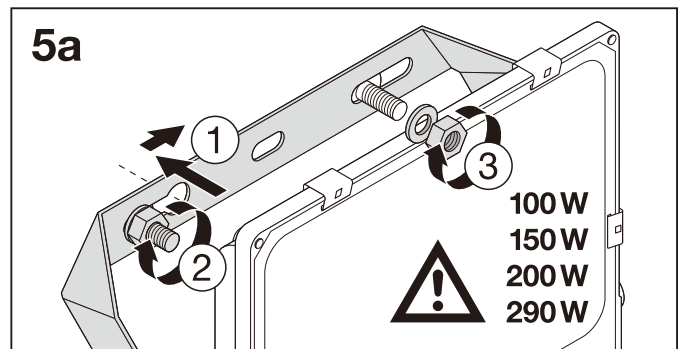
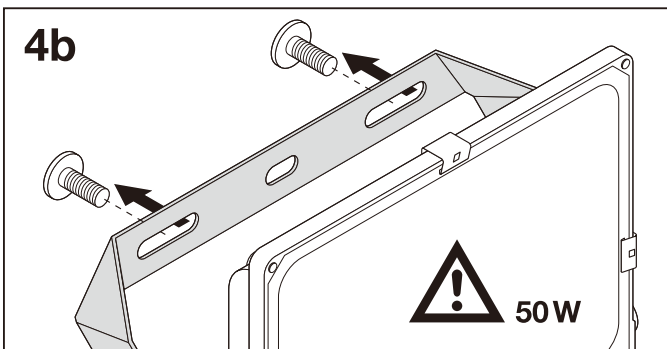
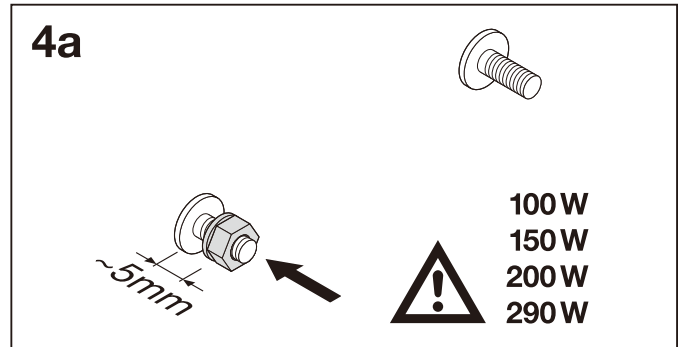
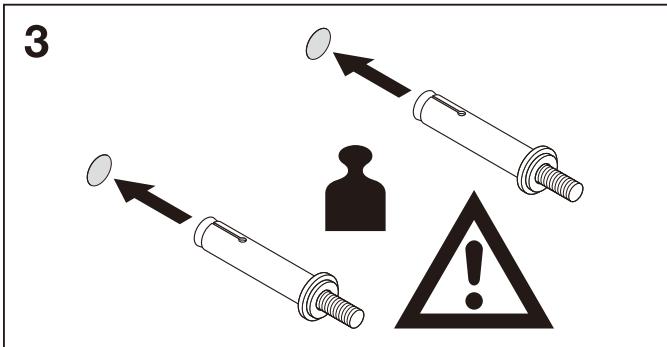
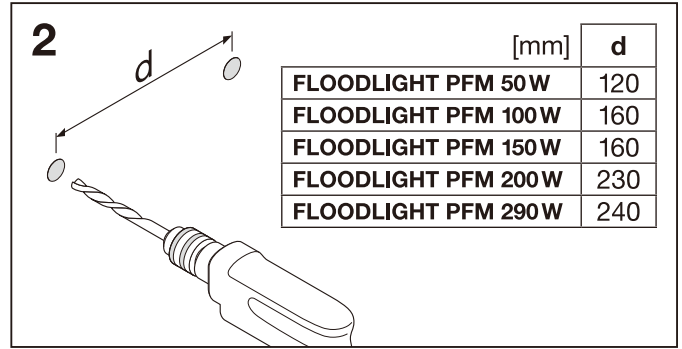
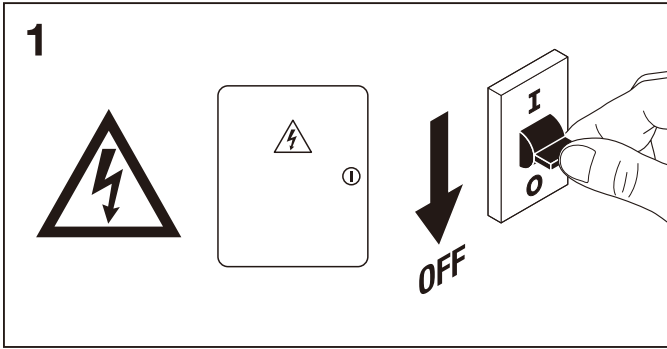
## FLOODLIGHT PERFORMANCE







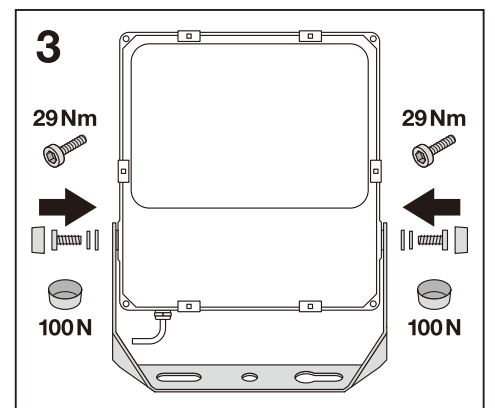
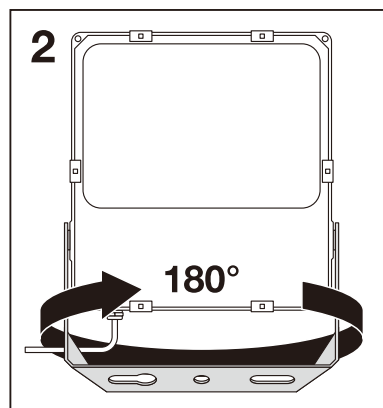
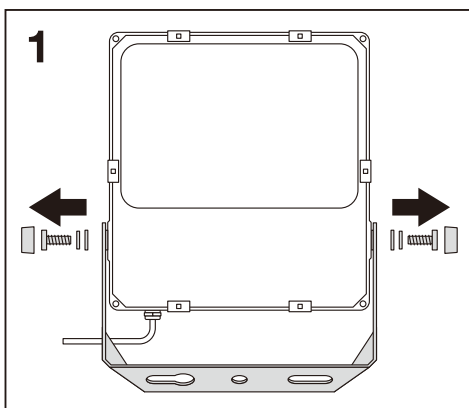
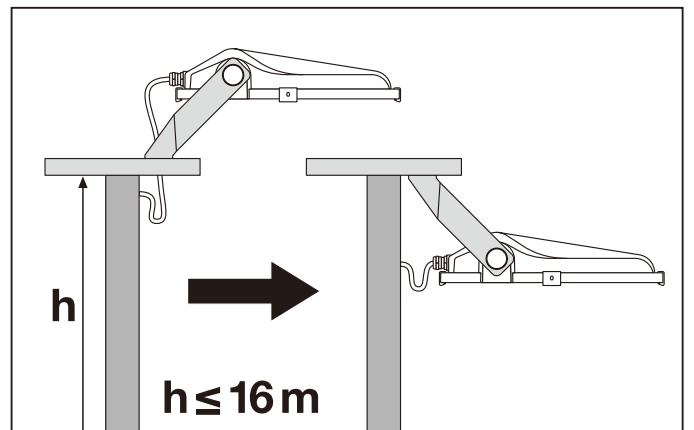
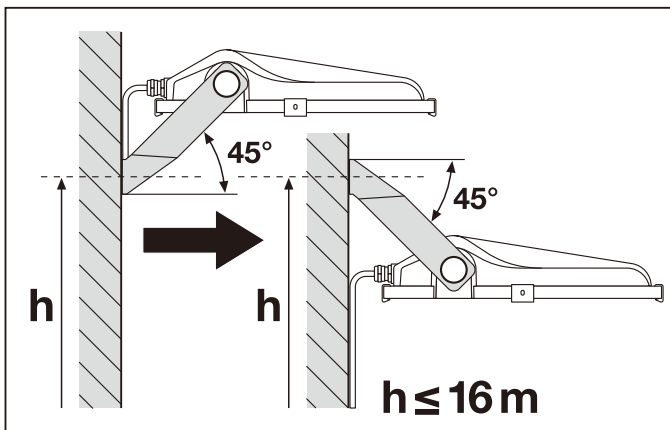
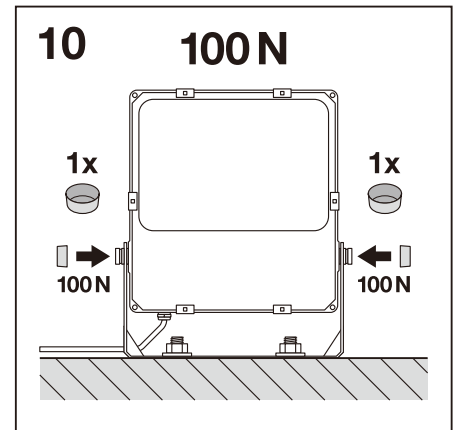
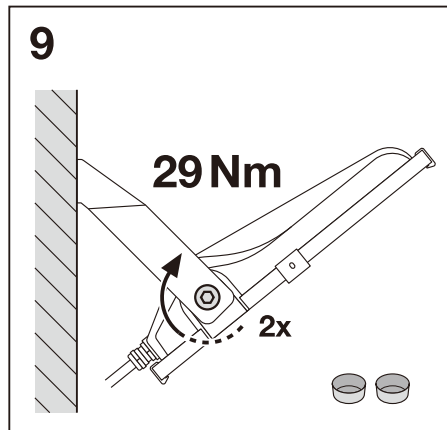
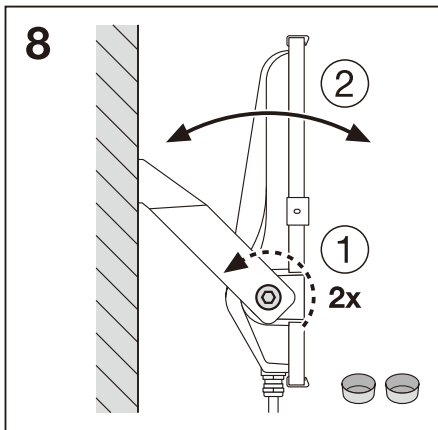
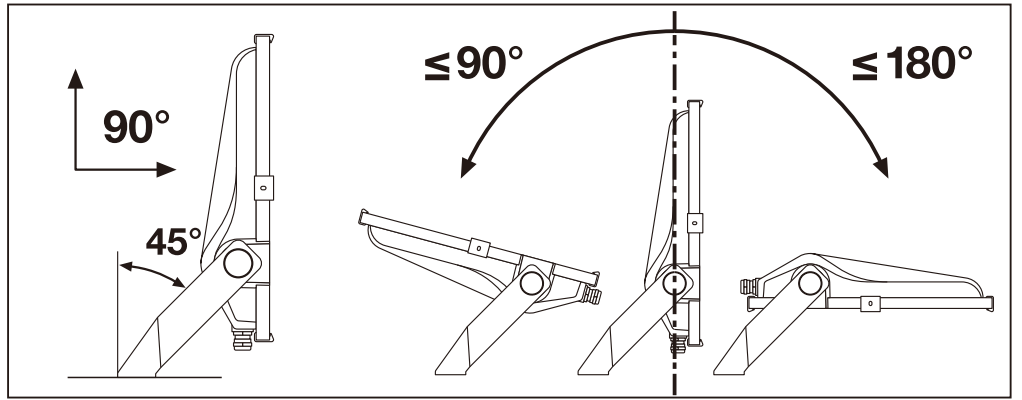
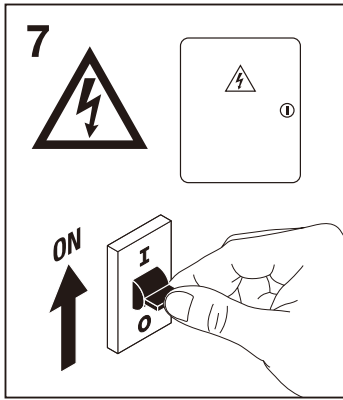
	EAN	l x w x h [mm]	W	V <sub>AC</sub>	Hz	lm	lm/W	K
FL PFM 50W/3000K ASYM 55x110 BK	4058075353299	314 x 240 x 63	50	220-240 V	50/60 Hz	5800	115	3000
FL PFM 50W/4000K ASYM 55x110 BK	4058075353305	314 x 240 x 63	50	220-240 V	50/60 Hz	6300	125	4000
FL PFM 100W/3000K ASYM 55x110 BK	4058075353312	418 x 330 x 77	100	220-240 V	50/60 Hz	11900	120	3000
FL PFM 100W/4000K ASYM 55x110 BK	4058075353527	418 x 330 x 77	100	220-240 V	50/60 Hz	12900	130	4000
FL PFM 150W/3000K ASYM 55x110 BK	4058075353534	451 x 330 x 77	150	220-240 V	50/60 Hz	18400	125	3000
FL PFM 150W/4000K ASYM 55x110 BK	4058075353541	451 x 330 x 77	150	220-240 V	50/60 Hz	19900	135	4000
FL PFM 200W/3000K ASYM 55x110 BK	4058075353558	494 x 395 x 87	200	220-240 V	50/60 Hz	24400	130	3000
FL PFM 200W/4000K ASYM 55x110 BK	4058075353565	494 x 395 x 87	200	220-240 V	50/60 Hz	26400	140	4000
FL PFM 290W/3000K ASYM 55x110 BK	4058075353572	567 x 465 x 97	290	220-240 V	50/60 Hz	35600	125	3000
FL PFM 290W/4000K ASYM 55x110 BK	4058075353602	567 x 465 x 97	290	220-240 V	50/60 Hz	38500	135	4000
FL PFM 50W/3000K ASYM 45x140 BK	4058075353619	314 x 240 x 63	50	220-240 V	50/60 Hz	5700	115	3000
FL PFM 50W/4000K ASYM 45x140 BK	4058075353626	314 x 240 x 63	50	220-240 V	50/60 Hz	6200	125	4000
FL PFM 100W/3000K ASYM 45x140 BK	4058075353633	418 x 330 x 77	100	220-240 V	50/60 Hz	11800	120	3000
FL PFM 100W/4000K ASYM 45x140 BK	4058075353688	418 x 330 x 77	100	220-240 V	50/60 Hz	12800	130	4000
FL PFM 150W/3000K ASYM 45x140 BK	4058075353695	451 x 330 x 77	150	220-240 V	50/60 Hz	18300	120	3000
FL PFM 150W/4000K ASYM 45x140 BK	4058075353701	451 x 330 x 77	150	220-240 V	50/60 Hz	19800	130	4000
FL PFM 200W/3000K ASYM 45x140 BK	4058075353718	494 x 395 x 87	200	220-240 V	50/60 Hz	24200	130	3000
FL PFM 200W/4000K ASYM 45x140 BK	4058075353725	494 x 395 x 87	200	220-240 V	50/60 Hz	26200	140	4000
FL PFM 290W/3000K ASYM 45x140 BK	4058075353732	567 x 465 x 97	290	220-240 V	50/60 Hz	35300	120	3000
FL PFM 290W/4000K ASYM 45x140 BK	4058075353749	567 x 465 x 97	290	220-240 V	50/60 Hz	38200	130	4000
FL PFM 150W/3000K SYM R30 BK	4058075353756	451 x 330 x 77	150	220-240 V	50/60 Hz	18700	125	3000
FL PFM 150W/4000K SYM R30 BK	4058075353763	451 x 330 x 77	150	220-240 V	50/60 Hz	20200	135	4000
FL PFM 200W/3000K SYM R30 BK	4058075353770	494 x 395 x 87	200	220-240 V	50/60 Hz	24800	130	3000
FL PFM 200W/4000K SYM R30 BK	4058075353787	494 x 395 x 87	200	220-240 V	50/60 Hz	26800	140	4000
FL PFM 290W/3000K SYM R30 BK	4058075353794	567 x 465 x 97	290	220-240 V	50/60 Hz	36200	125	3000
FL PFM 290W/4000K SYM R30 BK	4058075353800	567 x 465 x 97	290	220-240 V	50/60 Hz	39100	135	4000

	EAN	IP	IK	∠	R <sub>a</sub>	°C (°C)	PF	Person
FL PFM 50W/3000K ASYM 55x110 BK	4058075353299	66	08	55° x 110°	> 80	-30...+50	> 0.9	2.6kg
FL PFM 50W/4000K ASYM 55x110 BK	4058075353305	66	08	55° x 110°	> 80	-30...+50	> 0.9	2.6kg
FL PFM 100W/3000K ASYM 55x110 BK	4058075353312	66	08	55° x 110°	> 80	-30...+50	> 0.9	3.9kg
FL PFM 100W/4000K ASYM 55x110 BK	4058075353527	66	08	55° x 110°	> 80	-30...+50	> 0.9	3.9kg
FL PFM 150W/3000K ASYM 55x110 BK	4058075353534	66	08	55° x 110°	> 80	-30...+50	> 0.9	4.5kg
FL PFM 150W/4000K ASYM 55x110 BK	4058075353541	66	08	55° x 110°	> 80	-30...+50	> 0.9	4.5kg
FL PFM 200W/3000K ASYM 55x110 BK	4058075353558	66	08	55° x 110°	> 80	-30...+50	> 0.9	6.3kg
FL PFM 200W/4000K ASYM 55x110 BK	4058075353565	66	08	55° x 110°	> 80	-30...+50	> 0.9	6.3kg
FL PFM 290W/3000K ASYM 55x110 BK	4058075353572	66	08	55° x 110°	> 80	-30...+50	> 0.9	9.5kg
FL PFM 290W/4000K ASYM 55x110 BK	4058075353602	66	08	55° x 110°	> 80	-30...+50	> 0.9	9.5kg
FL PFM 50W/3000K ASYM 45x140 BK	4058075353619	66	08	45° x 140°	> 80	-30...+50	> 0.9	2.6kg
FL PFM 50W/4000K ASYM 45x140 BK	4058075353626	66	08	45° x 140°	> 80	-30...+50	> 0.9	2.6kg
FL PFM 100W/3000K ASYM 45x140 BK	4058075353633	66	08	45° x 140°	> 80	-30...+50	> 0.9	3.9kg
FL PFM 100W/4000K ASYM 45x140 BK	4058075353688	66	08	45° x 140°	> 80	-30...+50	> 0.9	3.9kg
FL PFM 150W/3000K ASYM 45x140 BK	4058075353695	66	08	45° x 140°	> 80	-30...+50	> 0.9	4.5kg
FL PFM 150W/4000K ASYM 45x140 BK	4058075353701	66	08	45° x 140°	> 80	-30...+50	> 0.9	4.5kg
FL PFM 200W/3000K ASYM 45x140 BK	4058075353718	66	08	45° x 140°	> 80	-30...+50	> 0.9	6.3kg
FL PFM 200W/4000K ASYM 45x140 BK	4058075353725	66	08	45° x 140°	> 80	-30...+50	> 0.9	6.3kg
FL PFM 290W/3000K ASYM 45x140 BK	4058075353732	66	08	45° x 140°	> 80	-30...+50	> 0.9	9.5kg
FL PFM 290W/4000K ASYM 45x140 BK	4058075353749	66	08	45° x 140°	> 80	-30...+50	> 0.9	9.5kg
FL PFM 150W/3000K SYM R30 BK	4058075353756	66	08	30°	> 80	-30...+50	> 0.9	4.5kg
FL PFM 150W/4000K SYM R30 BK	4058075353763	66	08	30°	> 80	-30...+50	> 0.9	4.5kg
FL PFM 200W/3000K SYM R30 BK	4058075353770	66	08	30°	> 80	-30...+50	> 0.9	6.3kg
FL PFM 200W/4000K SYM R30 BK	4058075353787	66	08	30°	> 80	-30...+50	> 0.9	6.3kg
FL PFM 290W/3000K SYM R30 BK	4058075353794	66	08	30°	> 80	-30...+50	> 0.9	9.5kg
FL PFM 290W/4000K SYM R30 BK	4058075353800	66	08	30°	> 80	-30...+50	> 0.9	9.5kg





	C10 A 	B16 A 	C16 A 	 m <sup>2</sup>
FLOODLIGHT PFM 50 W	3	3	5	0.054m <sup>2</sup>
FLOODLIGHT PFM 100 W	4	4	6	0.097m <sup>2</sup>
FLOODLIGHT PFM 150 W	2	3	4	0.110m <sup>2</sup>
FLOODLIGHT PFM 200 W	2	2	3	0.146m <sup>2</sup>
FLOODLIGHT PFM 290 W	4	4	7	0.200m <sup>2</sup>



CE EAC RoHS



C10449057  
G11076707  
05.08.19



LEDVANCE GmbH  
Steinerne Furt 62  
86167 Augsburg, Germany  
[www.ledvance.com](http://www.ledvance.com)